



OPTIONS



VERSIONS

Type	Force N	Speed mm/s	Current per Winding A	Resolution $\mu\text{m}/\text{step}$	Resistance per Winding Ohm	Inductance per Winding mH	Thread Diameter mm	Thread Lead mm	Length „A“ mm	Screw Length „L“ mm	Weight kg
LSA281S10-A-UGAQ-152	210	19	1	3.175	2.7	2.5	4.76	0.635	33	152	0.13
LSA281S10-B-UGAQ-152	210	19	1	3.175	2.7	2.5	4.76	0.635	33	152	0.13
LSA281S10-A-UGFC-152	50	120	1	25.4	2.7	2.5	4.76	5.08	33	152	0.13
LSA281S10-B-UGFC-152	50	120	1	25.4	2.7	2.5	4.76	5.08	33	152	0.13
LSA281S10-A-THCA-152	93.4	35	1	10	2.7	2.5	5	2	33	152	0.13
LSA281S10-B-THCA-152	93.4	35	1	10	2.7	2.5	5	2	33	152	0.13

ORDER IDENTIFIER

LSA281S10-
A... = single shaft end
B... = double shaft end

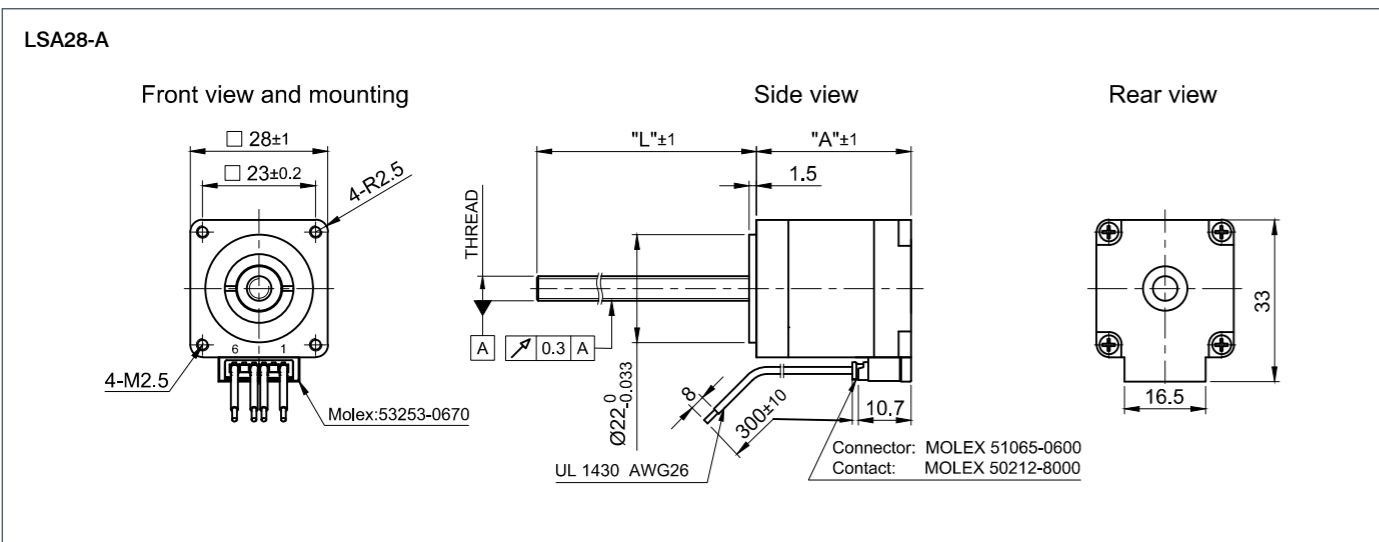
ACCESSORIES

LSNUT-AAAA-UGAQ Threaded Nut – POM
LSNUT-AAAA-UGFC Threaded Nut – POM
LSNUT-AAAA-THCA Threaded Nut – POM
NANOLUBE-50G Lubricant

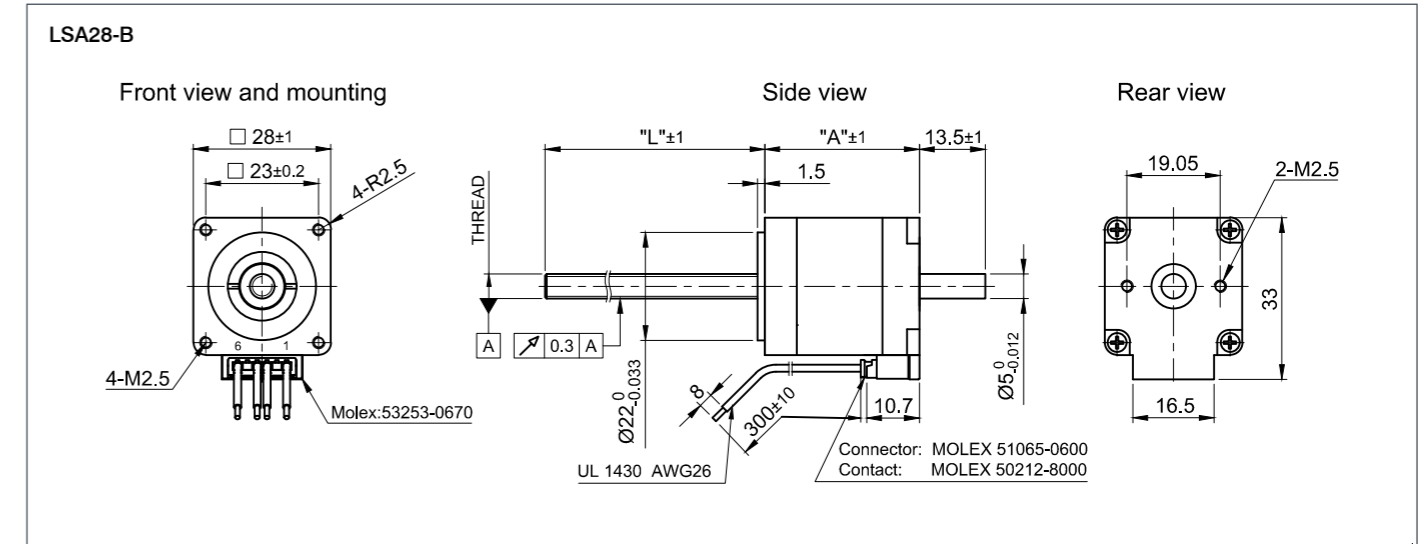
CAUTION

The force and power ratings specified in the data sheets are based on a duty cycle of 10% to 20% and must be reduced for higher values. Moving against fixed end stops should be avoided.

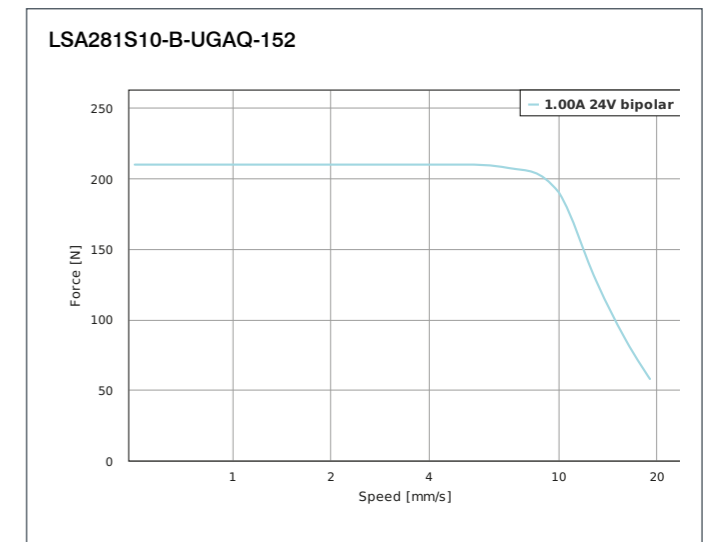
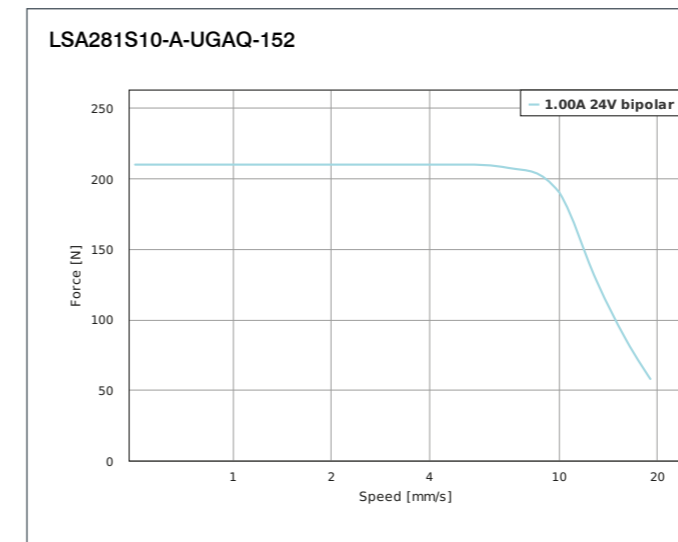
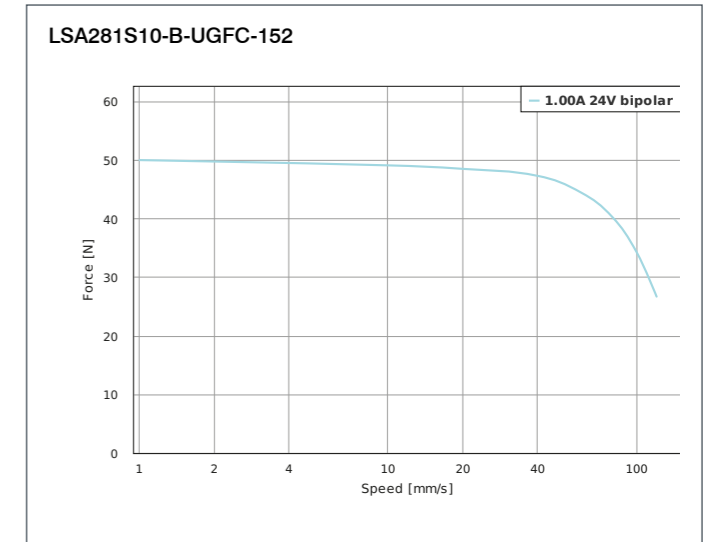
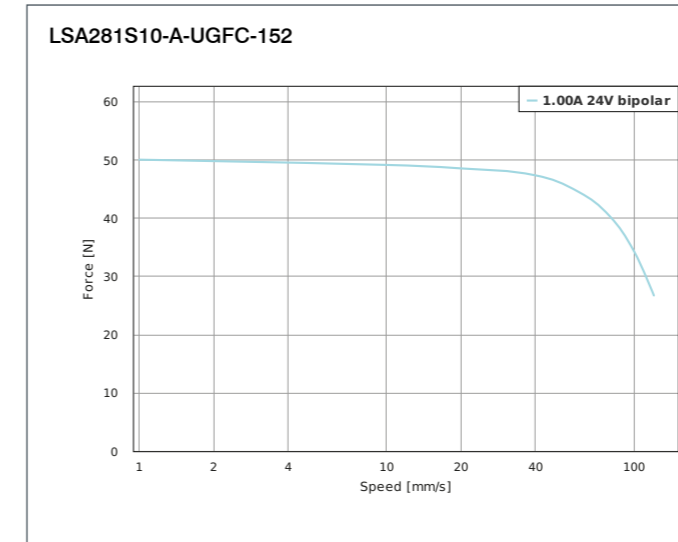
DIMENSIONS (IN MM)



DIMENSIONS (IN MM)



FORCE-VELOCITY CURVES



FORCE-VELOCITY CURVES

